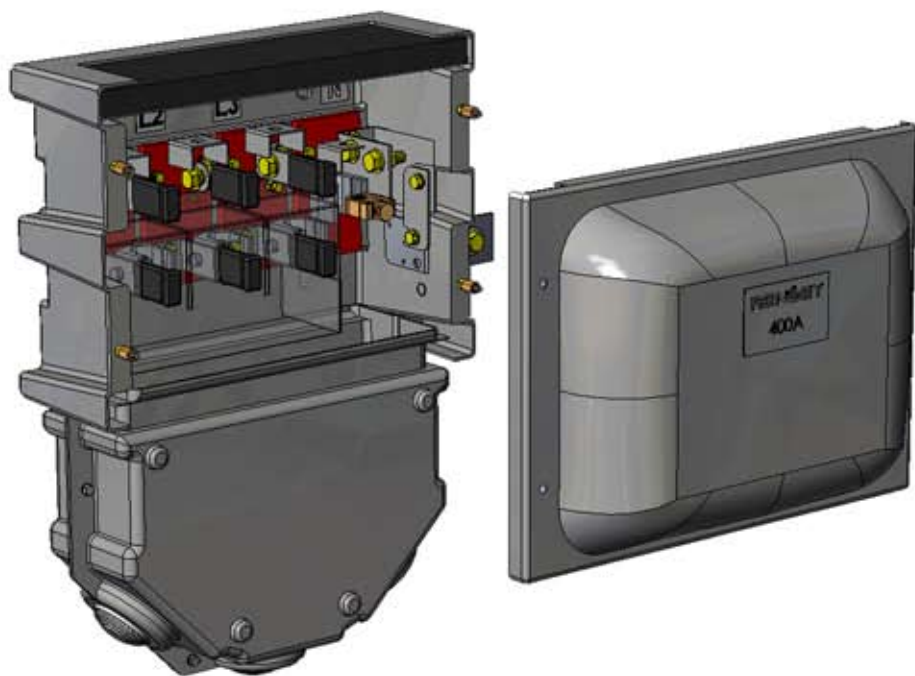
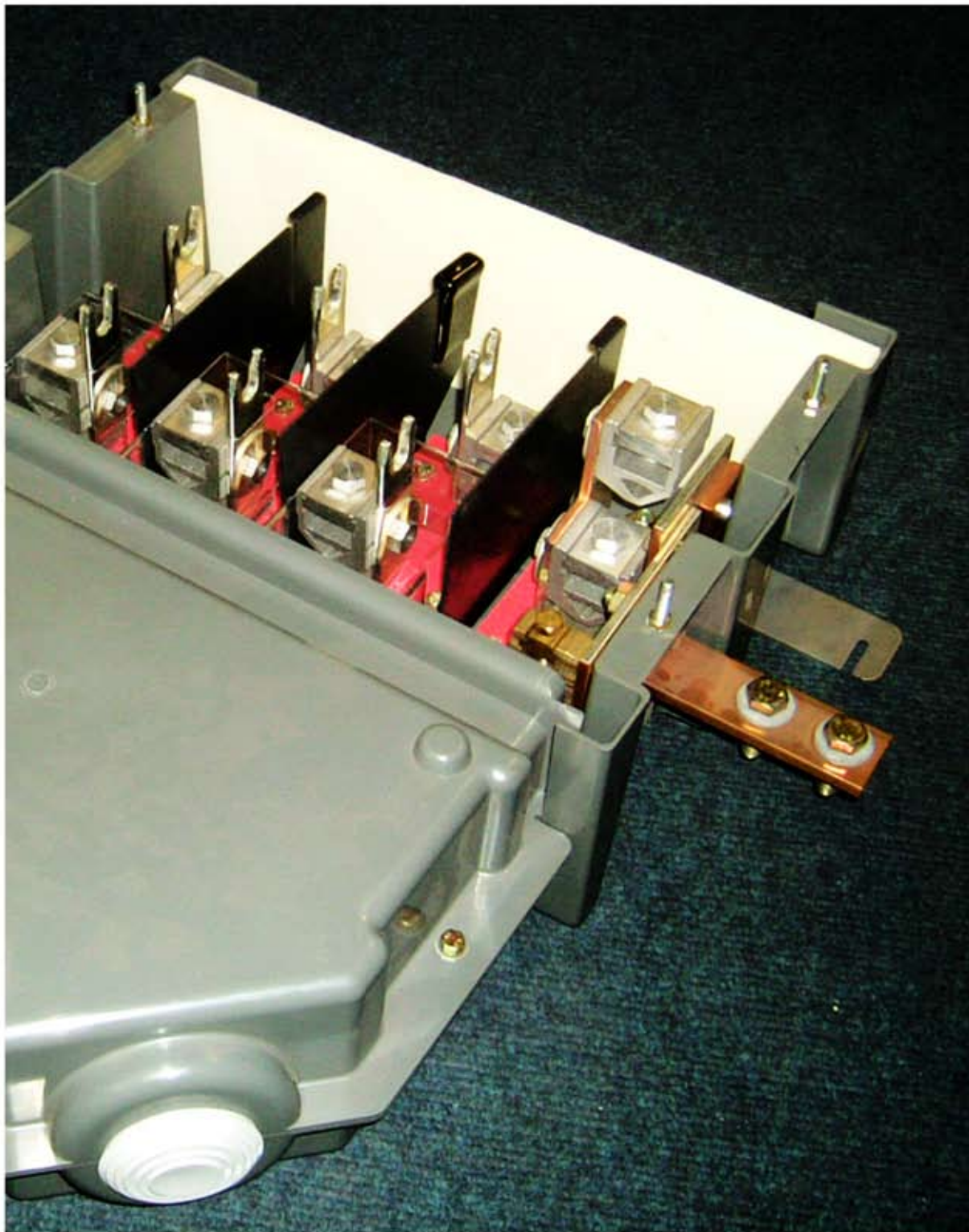


Heavy Duty Cut-Out

Renley manufacture a complete range of low voltage; heavy duty cut-outs for indoor commercial applications to both the DIN and BS standards for the Irish and UK Markets, Covering all combinations up to Three Pole & Neutral 600 Amps.





Features of the HDCO (Heavy Duty Cut-Out):

- 200, 300, 400 and 600 Amp rated units
- Single Pole, Single Pole Neutral up to 300 Amp, Single Pole & Neutral & Three Pole & Neutral up to 600 Amp
- BS Fuses J Type 82mm centre up to 600 Amp
- Fully Shrouded IP 23
- Incoming cables up to 300 sq mm Waveform
- Outgoing Cables up to 240 sqmm Waveform
- Data cable for metering applications.
- SNE, CNE, or PME earthing applications
- Safety wire up to 2mm for secure sealing of HDCO
- Fully Shroudable for Live Line work
- Fully type tested to International IEC 60439, IEC 269