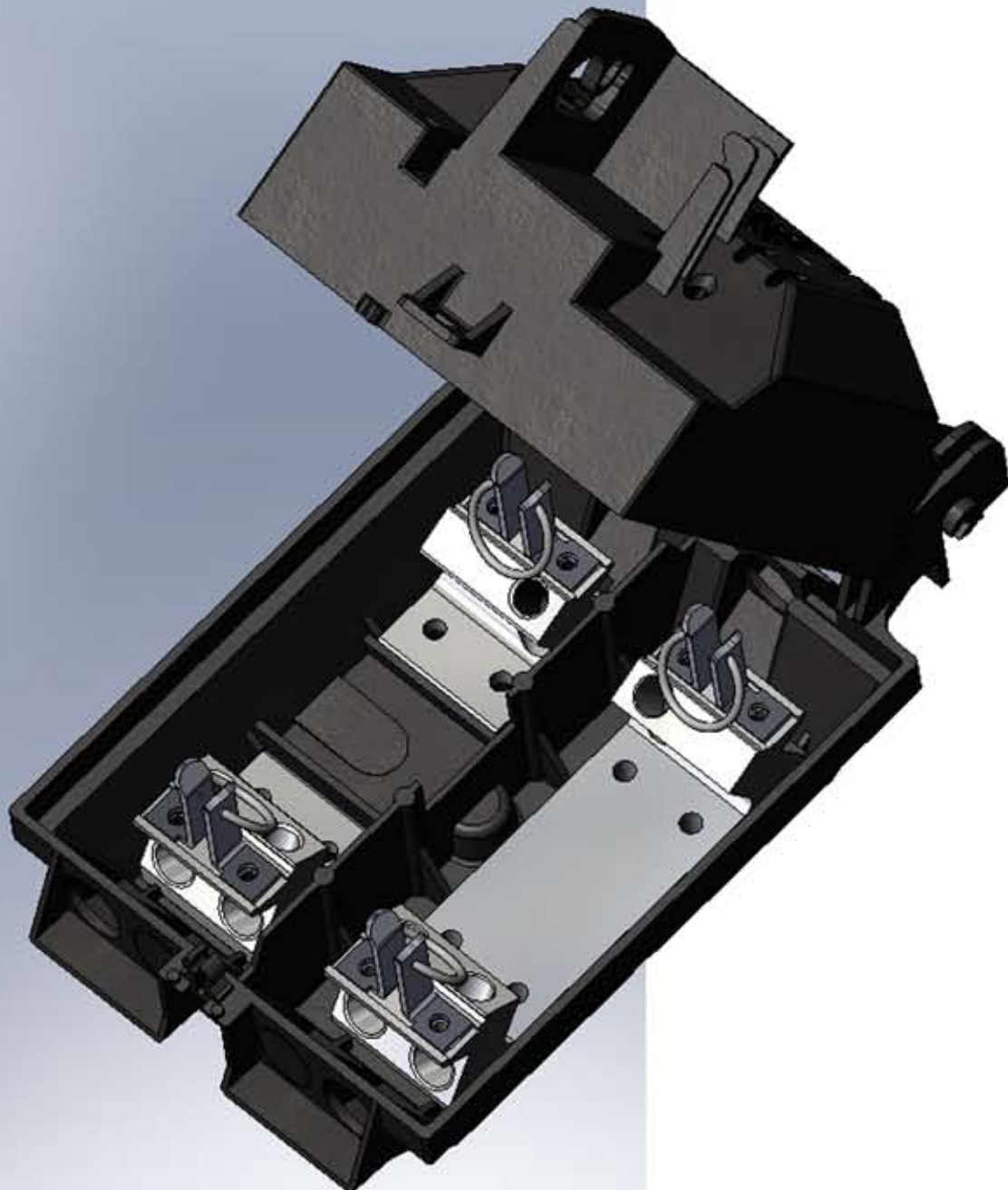


Fuse Cut-Out Unit

Renley manufacture a complete range of Low Voltage fused cutout products for ground operation to both the DIN and BS standards for the Irish and UK Markets, for residential and Industrial applications in all combinations up to 400 Amps three pole and neutral.

The Various names for this fused cutout are as follows:

- FCU (Fuse Cut-Out Unit),
- FSD (Fuse Switch Disconnecter)
- PMCU (Pole Mounted Cut-out Unit)
- OFSD (Overhead Fuse Switch Disconnecter).
- PMCO (Pole Mounted Cut-out)



Features;

- Modular or Integrated Design
- Single Pole & Neutral etc and any combination
- Type Tested to IEC Standards.
- BS or DIN fuses accepted (J Type 82mm or DIN NH 00 – NH 2)
- Short Circuit Bar (Earthing Bar)
- Neon / LED Indicator for fuse blown indication
- Dummy Covers for NO (Normal Open) points
- Rating from 160 to 400 Amp
- Solid Link rating 250 to 550 Amp
- IEC Operating Head (others available on request)
- Solid Neutral design
- AC 22B Inductive Load breaking
- Short circuit up to 8kA.
- Polycarbonate UV Stable Flame retardant UL-94 Material
- Conductor incoming up to 300 sqmm, outgoing up to 2 x 120 sq mm
- Pole mounting, Wall mounting
- Stainless Steel components for Salt-laden environments
- Mold-Flow analysis & 3-D design to improve the quality & reliability of product range.